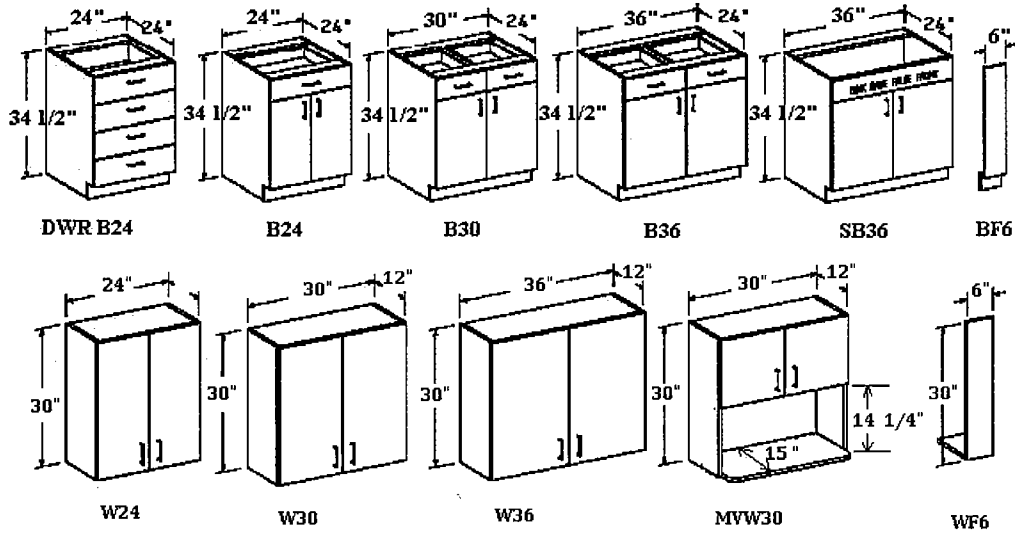


Quick Ship Order Form



Base Cabinets	White (QTY)	Almond (QTY)	Grey (QTY)	Price Each	Cherry (QTY)	Price Each	w/ Locks \$20.00 each	Sub-Total
DWR B24	_____	_____	_____	\$ 219	_____	\$244	_____	_____
B24	_____	_____	_____	\$ 187	_____	\$212	_____	_____
B30	_____	_____	_____	\$ 206	_____	\$231	_____	_____
B36	_____	_____	_____	\$ 232	_____	\$257	_____	_____
SB36	_____	_____	_____	\$ 167	_____	\$192	_____	_____
BF6	_____	_____	_____	\$ 15	_____	\$25	_____	_____

Wall Cabinets	White (QTY)	Almond (QTY)	Grey (QTY)	Price Each	Cherry (QTY)	Price Each	w/Locks \$ 20.00 each	Sub-Total
W24	_____	_____	_____	\$ 116	_____	\$141	_____	_____
W30	_____	_____	_____	\$ 132	_____	\$157	_____	_____
W36	_____	_____	_____	\$ 147	_____	\$172	_____	_____
MVW30	_____	_____	_____	\$ 110	_____	\$135	_____	_____
WF6	_____	_____	_____	\$ 25	_____	\$35	_____	_____

Countertops 25 inch deep

Formica Color# _____ Length (inches) _____ x \$2.50/inch = _____
 Formica Color# _____ Length (inches) _____ x \$2.50/inch = _____
 Formica Color# _____ Length (inches) _____ x \$2.50/inch = _____

Metal countertop supports 18"x24" _____ x \$30.00/each _____

Side Splashes 4" Tall

(Circle choice)

Formica Color# _____ RH or LH QTY= _____ x \$20.00/each _____
 Formica Color# _____ RH or LH QTY= _____ x \$20.00/each _____
 Formica Color# _____ RH or LH QTY= _____ x \$20.00/each _____
 Formica Color# _____ RH or LH QTY= _____ x \$20.00/each _____

Customer Name & SHIP TO ADDRESS

MATERIAL ORDER TOTAL

Shipping & tax calculated during confirmation of order

Phone # to contact you _____

FAX ORDER TO: 563-391-9079